

COMBI TWO

Thank you for purchasing the Combi Two light

The product offers tri-colour navigation and anchor light at a very low power consumption. The product is designed in high quality for many years usage in harsh marine environment.

The installation is easy and the product can be mounted / unmounted easily again using the connector.

Positioning and Operation

- May only be installed on sailing vessels of less than 20 meters in length.
- Mounted near the top of the mast, where the light can be seen all round without any obstructions.
- Use only when vessel is driven under sails and no power are used.

Connecting power

- Supply voltage between 10VDC and 30VDC
- Recommended <2A (slow) fuse or circuit breaker

Specifications

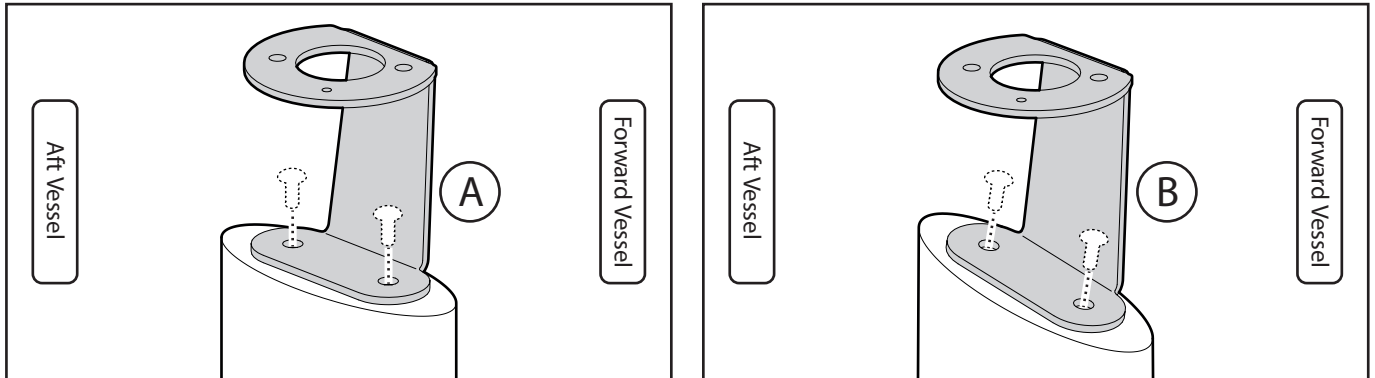
Housing	UV/corrosions resistant surface treated aluminium
Glass material	UV resistant PMMA
Visible Distance	2 Nautical Miles (yacht) Navigation light 2 Nautical Miles (yacht) Anchor light
Light Source	LED
Voltage protection	Reverse polarity protected Spike protected to +500 volts Electromagnetic Compatibilities (EMC)
Power Consumption	Port, starboard and stern 2W, allround white / anchor 1W
Dimensions	75mm (diameter) x 75mm (height)
Weight	430g
Warranty:	2 years product limited warranty. If you want to claim a warranty for your product, please write an email to claim@norbymarine.com



The light must be mounted with the "zero degrees indication arrow" aligned to the vessel centerline pointing forward.

Step 1

Mount correct bracket to top of mast. Ensure direction arrow is forward. Ensure that the correct bracket (A or B) is used depending on the slope of the top of the mast. Use fastening materials for your particular mast (**not included**).



Step 2

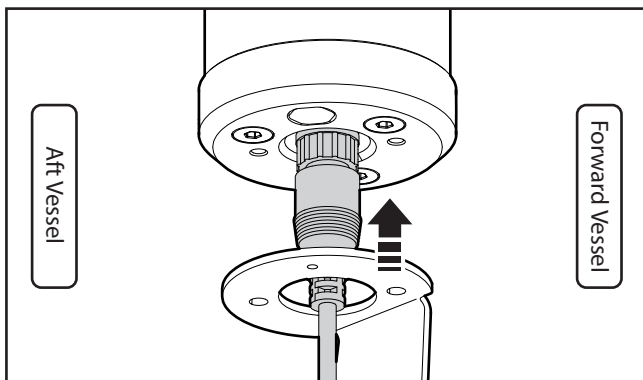
Connect cable to vessels electrical circuit. Use supply voltage between 10VDC and 30VDC (Typically 12 or 24 VDC).

Colour	Connect to	Power	Function
Black	Negative (-)		
Yellow	Positive (+)	2 W	Navigation light
White	Positive (+)	1 W	Anchor light

Cable mounting: Avoid chafe. Route away of electric motors or other items with large inductive fields. Route away from heat sources such as motor or heater.

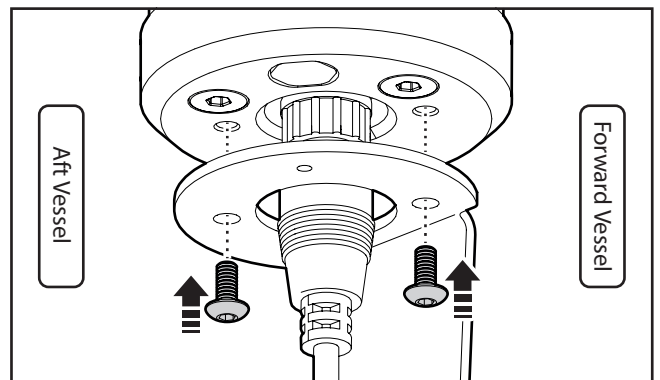
Step 3

Connect cable to light with the connector



Step 4

Mount light to bracket. The installation is finished



Service

- Clean ONLY with freshwater or a damp cloth
- DO NOT use alcohol or thinner for cleaning. This could damage the lens.
- Lubricate the connector pins if needed.