

NORBY

NAVIGATION LIGHT

ANCHOR TWO

Thank you for purchasing the Anchor Two light

The product offer anchor light at a very low power consumption. The product is designed in high quality for many years usage in harsh marine environment.

The installation is easy and the product can be mounted / unmounted easily again with the connector.

Positioning and Operation

- May only be installed on sailing vessels of less than 12 meters in length.
- Carried near the top of the mast, where the light can be seen all round without any obstructions.

Connecting power

- Supply Voltage between 10VDC and 30VDC
- Recommended <2A (slow) fuse or circuit breaker

Specifications

Lamp House	UV/corrosions resistant anodized aluminium or black powdered
Lamp Lens	UV resistant PMMA
Mounting bracket	316 stainless steel
Visible Distance	2 Nautical Miles (yacht) Anchor light
Light Source	LED
Voltage protection	Reverse polarity protected Spike protected to +500 volts Electromagnetic Compatibilities (EMC)
Power Consumption	Allround White / Anchor less than 1W 75mm (diameter) x 75mm (height)
Dimensions	430g
Weight	1 years product limited warranty. If you want to claim a warranty for your product,
Warranty:	please write an email to claim@norbylight.com

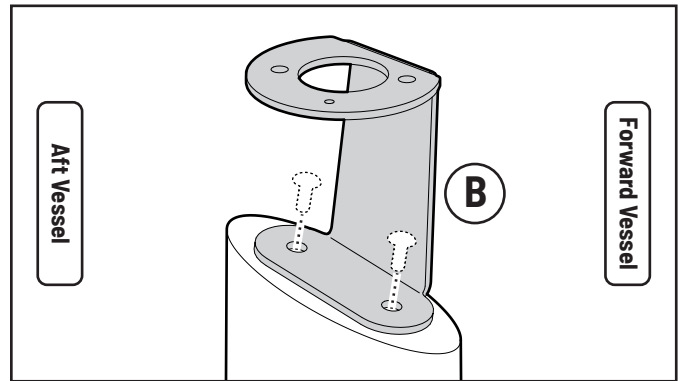
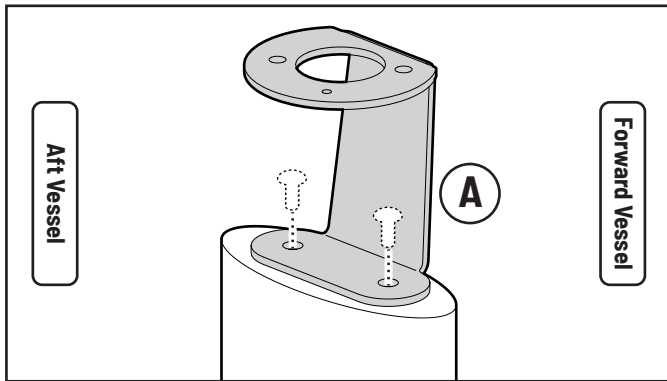
Mounting



The lamps must be mounted with the "zero degrees indication arrow" aligned to the vessel centerline pointing forward.

Step 1

Mount correct bracket to top of mast. Ensure direction arrow is forward. Ensure that the correct bracket (A or B) is used depending on the slope of the top of the mast. Use fastening materials for your particular mast (**not included**).



Step 2

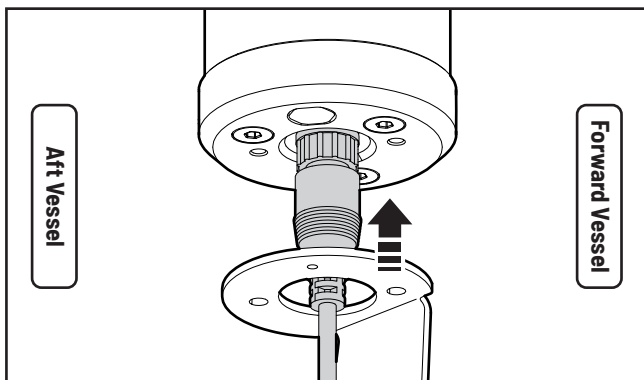
Connect cable to vessels lamp circuit. Use Supply Voltage between 10VDC and 30VDC (Typically 12 or 24 Volts systems).

Colour	Connect to	Power	Function
Black	Negative (-)		
White	Positive (+)	< 1W	Anchor light

Cabling mounting: Avoid chafe. Route away of electric motors or other items with large inductive loads. Route away from heat sources such as motor or heater.

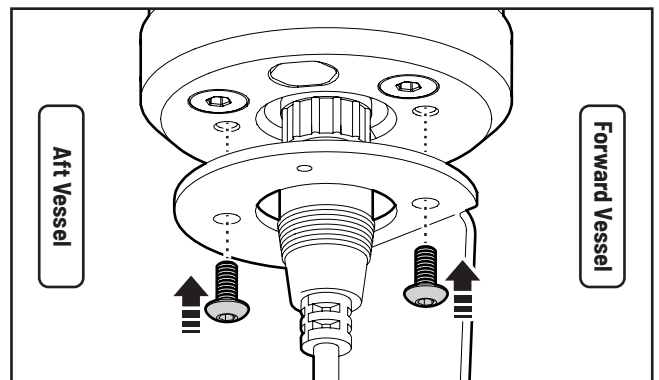
Step 3

Connect cable to lamp with the connector.



Step 4

Mount lamp to bracket. The ins



Service

- Clean ONLY with freshwater or a damp cloth
- DO NOT use alcohol or thinner for cleaning. This could damage the lens.
- Lubricate the connector pins if needed.